

No.	Item	Symbol	Unit	Specification	No.	Item	Symbol	Unit	Specification
1	Drive	-	-	3 ϕ 220 VAC	13	Rotor Inertia	Jm	kg-cm ²	1.64 \pm 10%
2	Cooling Method	-	-	Totally Enclosed	14	Rated Power Rate	Q-R	Kw/s	34.74
3	Exciting Method	-	-	Permanent Magnet	15	Resistance	Ra	Ω	1.48 \pm 10%/2 ϕ
4	Resolution	-	-	17 bit-ABS	16	Inductance	L	mH	10.1 \pm 10% / 2 ϕ
5	Rated Output	P-R	W	750	17	Mech. Time Constant	Tm	ms	1.05
6	Rated Torque	T-R	N-m	2.39	18	Elect. Time Constant	Te	ms	6.82 \pm 10%
7	Max. Torque	T-max	N-m	7.16	19	Insulation Class	-	-	Class F
8	Rated Speed	N-R	rpm	3000	20	Operation Temp.	T	$^{\circ}$ C	0~40
9	Rated Current	I-R	A	4.3	21	Operation Humd.	RH	%	<80
10	Max. Current	I-max	A	14	22	Storage Temp.	T	$^{\circ}$ C	-20 $^{\circ}$ ~60 $^{\circ}$
11	Torque Constant	Kt	N-m/A	0.56	23	Storage Humd.	RH	%	<80
12	Voltage Constant	Ke	V/k rpm	37.3 \pm 10%	24	Weight	W	kgw	4.1

1	+5V	Red
2	0V	Black
3	VB+	Brown
4	VB-	Brown/Black
5	SD	Blue
6	SD	Blue/Black
7		
8		
9	FG	Shield

1	U	Red
2	V	White
3	W	Black
4	GND	Y/G

Motor Connection

Encoder Connection



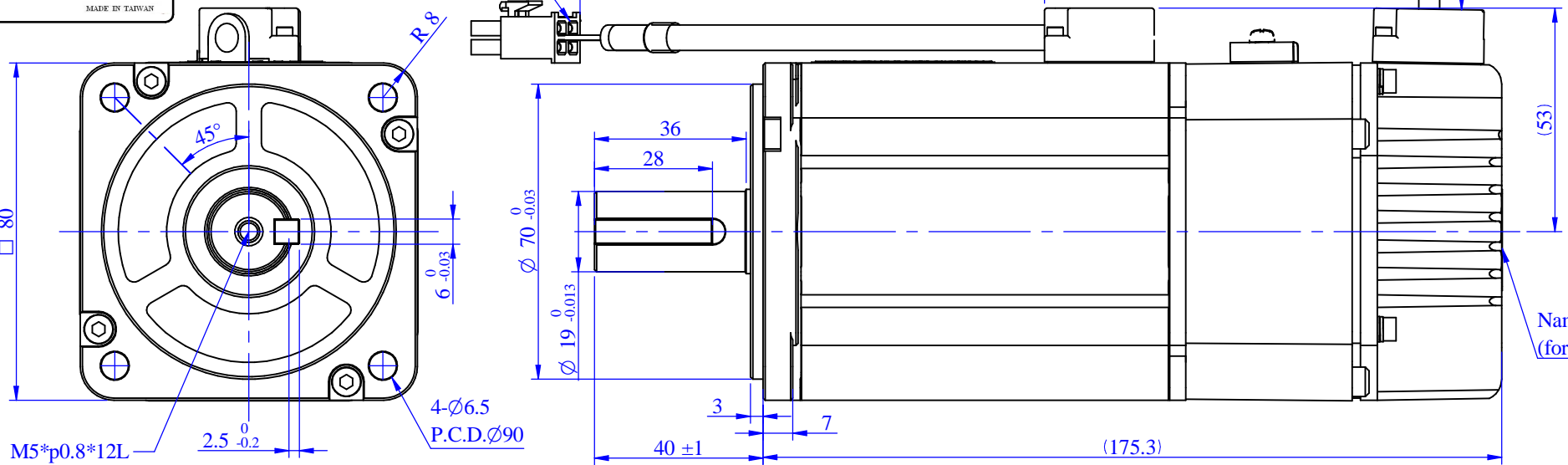
Name Plate for Notice

AC SERVO MOTOR
 Model: JSMA-PBC08AAKB
 Pr: 0.75 KW ; Nr: 3000 rpm
 Ir: 4.3 A , Tr: 2.39 N-m
 NO.
TECO ELECTRIC & MACHINERY CO., LTD.
 MADE IN TAIWAN

Note:
 Motor to be IP67(excluding the shaft opening & connectors)

PIN:AMP 770835-1
 HOUSING:AMP 172169-1

PIN:AMP 170360-1
 HOUSING:AMP 172167-1



STANDARD TOLERANCE					APVD		SCALE	2/3	UNIT	m m	NAME	Servo Motor Outline Drawing	
X	\pm 0.5				CHKD						JSMA-PBC08AAKB		
.X	\pm 0.2				CHKD		3RD .A.P				TITLE		
.XX	\pm 0.05				DWN	hao	04-11-'16				TECO ELECTRO DEVICES CO., LTD.		
ANGLE	\pm 30'									Dept. Design	DWG.NO.	D01E08751C3B33D01	
MATERIAL		REV	DESCRIPTION	SIGNATURE	DATE	SIGNATURE	DATE						